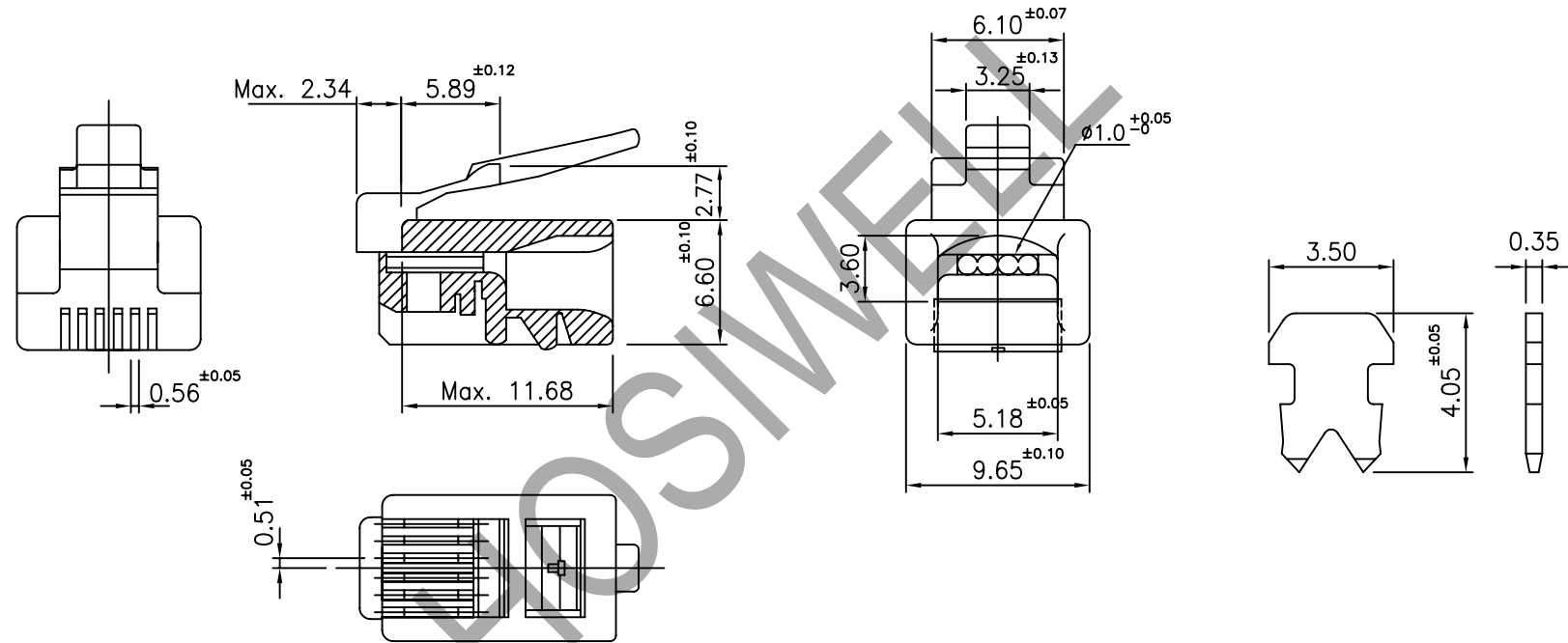



RevNo	Revision note	Date
△1		
△2		
△3		



1. DIMENSIONS ARE MAXIMUM UNLESS OTHERWISE SPECIFIED.
2. MATERIAL HOUSING—POLYCARBONATE, CLEAR.
TERMINAL— PHOSPHOR BRONZE, PLATED WITH
0.381 μ m (.000015) MINIMUM THICK GOLD IN
LOCALIZED GOLD PLATE AREA, GOLD FLASH
OVER THE REMAINDER, OVER 2.54 μ m (.000100)
MINIMUM THICK NICKEL UNDERPLATE.
3. PLUG WILL ACCEPT 26 OR 28AWG. STRANDED WIRE

①	RJ11 6P4C Telephone Plug Normal Type				1	PC.
ITEM	DESCRIPTION				Q'TY	UNIT
Designed by	date	Checked by -	date	Approved by -	date	Scale
					24/09/2009	-
 HOSIWELL TECHNOLOGY CO., LTD.				Part Name	RJ11 6P4C Telephone Plug	
				Unit	mm.	
				Part No.	21400	
				Ref. No.		
Used On.			Sheet	1 of 1		